

Glass telephoto lens for 1/3" format imager**Description**

DSL208 lens is a miniature glass lens optimized for imager size up to 1/3" format. It has extended spectral range from visible to near infrared.

Key Features

- Spectral range: visible and near infrared.
- Telephoto field of view
- All glass elements and metal barrel provide environmental stability
- High quality image
- Multilayer anti-reflection coatings on all lens elements

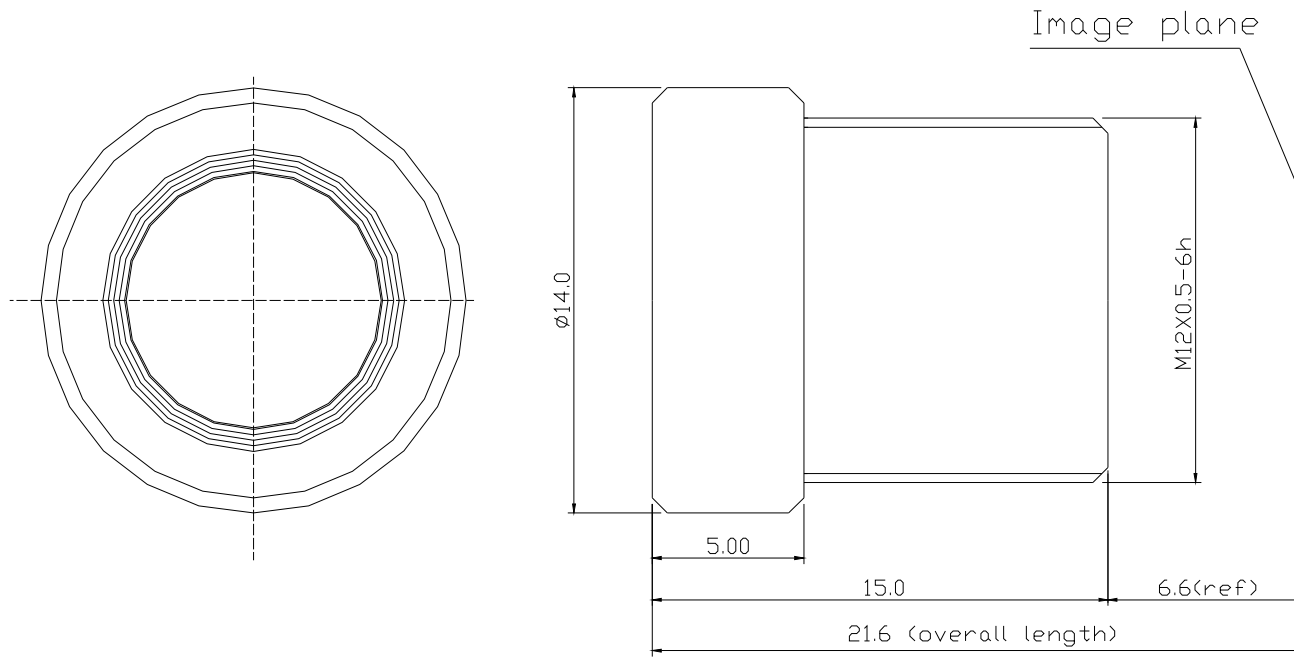
Applications

- Automotive
- Security and surveillance

Optical specifications

PN	DSL208
Description	Miniature glass lens
Imager Format	Up to 1/3"
Spectral range	400-1000nm
Focal length (mm)	15.8
F/#	2.0 and 4.0
Design Image Circle(mm)	6.0 (used for the following calculation)
Diagonal Field of View (deg)	21.5°
Resolution	Center:125/125 70%:80/80
Geometric Distortion	-2%
Relative Illumination	95%
Mechanical	See below
Filter Option	Optional
Lens barrel thread	M12x0.5-6h

Mechanical Dimension (DSL208):



Barrel Material: Anodized AL (Ly12)