

Miniature Megapixel Fisheye Lens



Description

The DSL315 lens is a miniature fisheye lens designed for up to 10 Megapixels resolution. It achieves a full field of view of 190 degrees in a compact package. It is suitable for high-end security, surveillance, biometric and machine vision applications.

Key Features

- 140-degree field of view [on 1/2.5" sensor]
- Compatible with all common sensor formats/resolutions
- Compact size
- Superior image quality
- All glass elements provide environmental stability

Applications

- Security and Surveillance
- Biometrics and Machine Vision

Optical specifications

Sunex P/N: DSL315	
Description	Miniature fisheye lens
Image circle [mm]	7.0
Focal length [mm]	2.67
TTL [mm]	40.6
BFL [mm]	7.3
Resolution	Up to 10 Megapixel
F/#	2.0
Distortion	-18% (F- θ)
Horizontal Field of View on 1/2.5" imager	140°
Relative illumination	>70% full field
Chief ray angle	12.5
Filter Option (50% @ 650nm +/-10nm)	IR Cut coating optional
Lens barrel thread	M12x0.5, Optional C/CS Adapter

SUBJECT TO CHANGE WITHOUT NOTICE

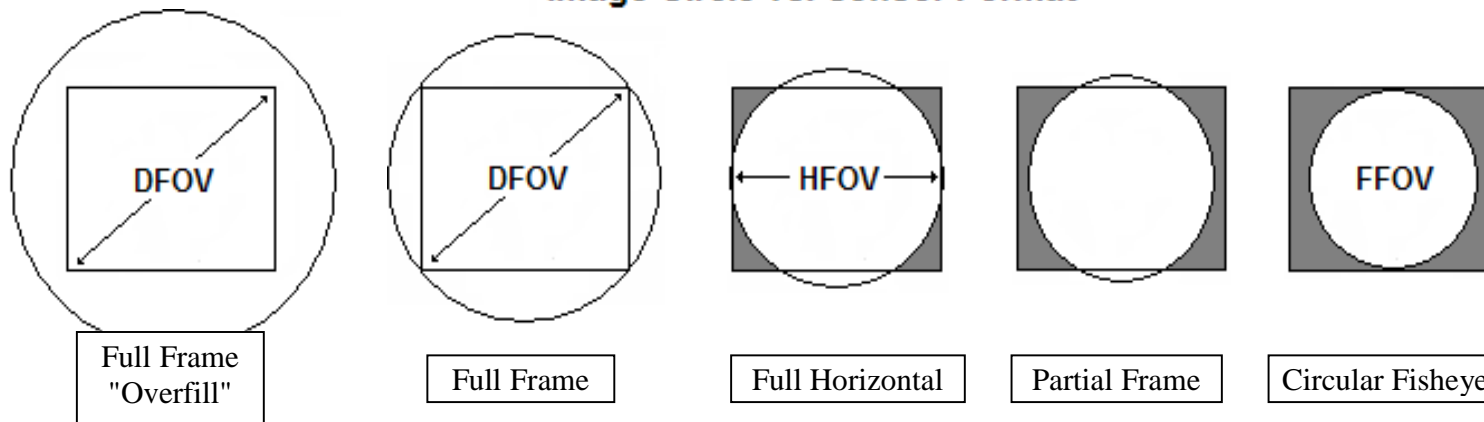
Sunex Inc.

Telephone: +001 760.602.0988

Order samples online at www.optics-online.com

Image circle & field of view:

Image Circle vs. Sensor Format

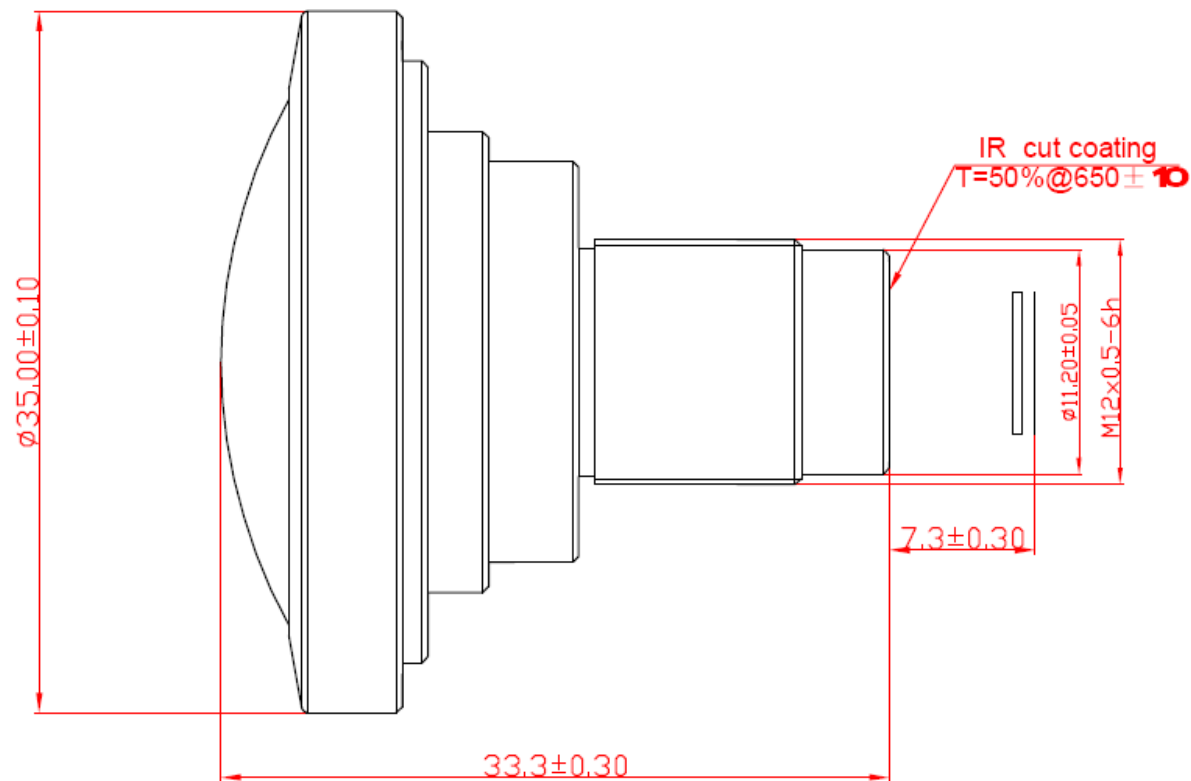


Sunex PN	EFL (mm)	F/#	Lens FOV (deg)	Horizontal Field Of View (deg) on			
				1/2.5" format 5.6mm width	1/3" format 4.8mm width	1/3.2" format 4.5mm width	1/4" format 3.6mm width
DSL315	2.6mm	1.8	190 °	140° [FF]	113°	105°	82°

SUBJECT TO CHANGE WITHOUT NOTICE

Sunex Inc.
 Telephone: +001 760.602.0988
 Order samples online at www.optics-online.com

DSL315A Mechanical (dimensions are in mm):



SUBJECT TO CHANGE WITHOUT NOTICE

Sunex Inc.
Telephone: +001 760.602.0988
Order samples online at www.optics-online.com